

TYPE : 129 CONTACTORS

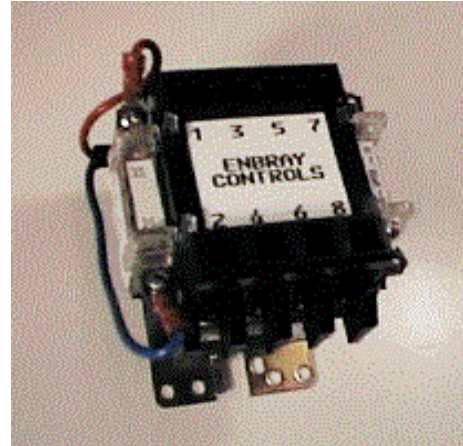


A range of compact block contactors with double break, silver alloy contacts rated at 32A 600V A.C. with a wide choice of A.C. and D.C. control voltages.

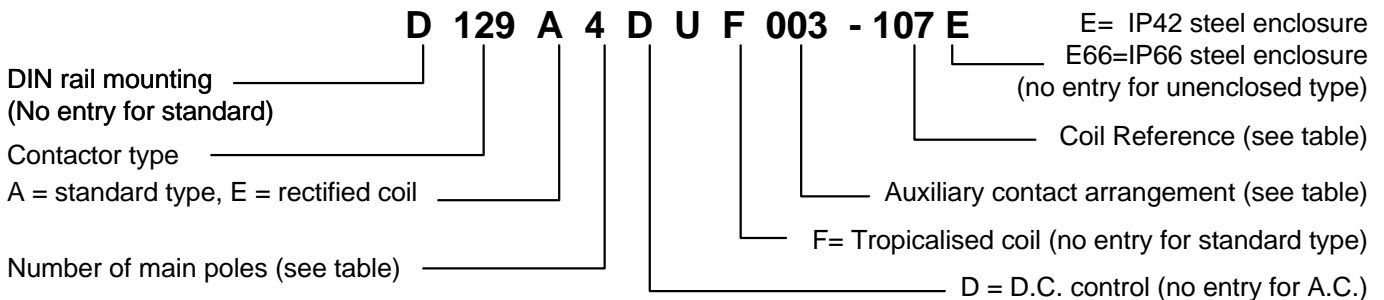
FEATURES

- 4 main poles
- 32A AC1 resistive and 16A AC3 motor load per pole
- Wide range of A.C. and D.C. control voltages
- Screw clamp terminations for cables up to 6mm²
- Optional 35mm DIN rail mounting
- Up to 2 n/o and 2 n/c auxiliary contacts
- Mechanically interlocked pairs available, type 229
- Also available in IP42 or IP66 enclosure

Note that one auxiliary is used by the control circuit when D.C. or rectified control is specified and that these types are therefore limited to a maximum of 1 n/o + 1 n/c auxiliaries available to the user.



ORDERING EXAMPLE



Mechanically interlocked pairs of contactors are also available. Select from the standard references below but substitute **229** for **129** in the given part number. Note that DIN rail mounting is not available on interlocked units.

TYPES AVAILABLE - A.C. CONTROL			
MAIN POLES	AUXILIARIES		ORDERING REFERENCE
	N/O	N/C	
4	0	0	129A4U
4	1	1	129A4U003
4	2	2	129A4U033
RECTIFIED A.C. CONTROL			
MAIN POLES	AUXILIARIES		ORDERING REFERENCE
	N/O	N/C	
4	0	0	129E4U
4	1	1	129E4U003
D.C. CONTROL			
MAIN POLES	AUXILIARIES		ORDERING REFERENCE
	N/O	N/C	
4	0	0	129A4DU
4	1	1	129A4DU003
D.C. CONTROL			
MAIN POLES	AUXILIARIES		ORDERING REFERENCE
	N/O	N/C	
2	0	0	129D2DU
2	1	1	129D2DU003

COIL REFERENCES (for rectified A.C. use the equivalent D.C. coil)							
A.C. on standard base			A.C. on DIN base			D.C. either base	
Voltage	Freq	Ref	Voltage	Freq	Ref	Voltage	Ref
24	50/60Hz	-74	110	50Hz	-78	12-15	-102
48-55	60Hz	-76	240	50Hz	-84	24-30	-103
110	50/60Hz	-79	380	50Hz	-86	30-40	-104
220-250	50Hz	-80	440	60Hz	-89	36-48	-105
220-250	60Hz	-81				48-65	-106
220	50/60Hz	-82				110-135	-107
250	50/60Hz	-95				220-250	-108
380-440	50Hz	-86					
440	50/60Hz	-90					
440-500	60Hz	-89					

Coils for voltages other than those listed above are also available - details on request.

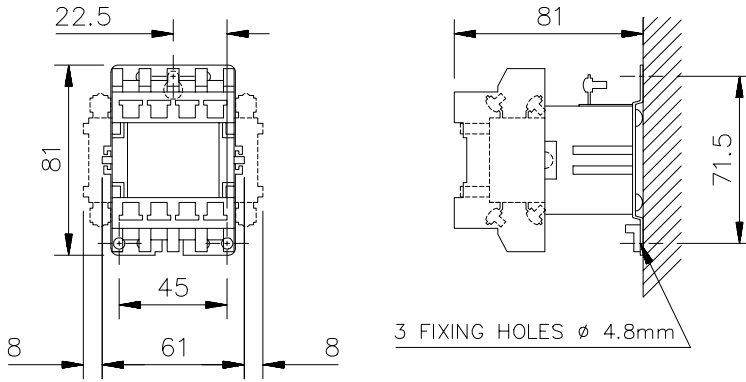
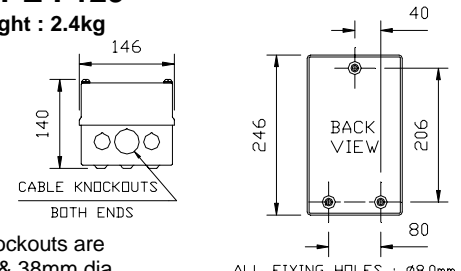
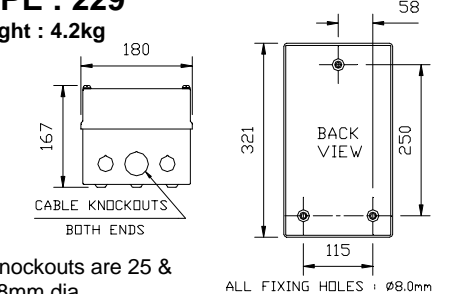
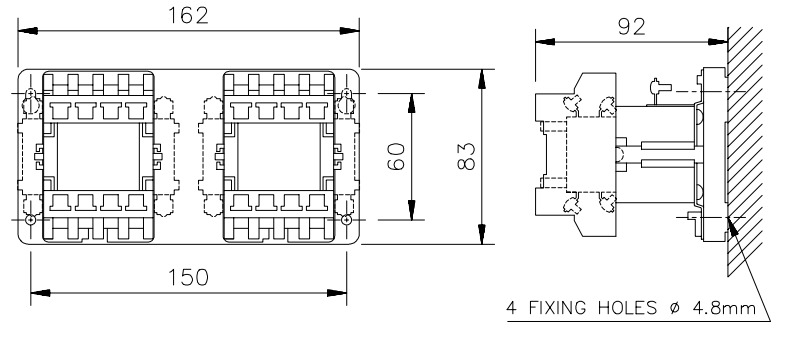
ADDITIONAL ITEM REFERENCES	
Spare coils : Add reference from the table to the part no. MSA1666-	
Spare set of contacts (4 pole)	MSA129130K
Side auxiliary switch (1 n/o + 1 n/c)	MSA129137K
Economy auxiliary switch (1 n/c late break)	MSA129138K
2 pole link kit - four links per kit	MSA129334K

SPECIFICATION

CONTACT RATING at 600V A.C.		
LOAD TYPE	AMPS	kW at 415V
HEATING (AC1)	32	
LIGHTING	20	
MOTOR (AC2)	22	11
MOTOR (AC3)	16	8
MOTOR (AC4)	12	6
STAR-DELTA	28	15

TERMINAL CABLE SIZES
SADDLE CLAMP FOR 1 x 6mm ² CABLE
COIL CONSUMPTION
A.C. : 54VA in-rush, 11VA hold-in
D.C. : 75W in-rush, 1.5W hold-in
AUXILIARY CONTACT RATING
MAX 5A A.C. : 1000VA INDUCTIVE LOAD
MECHANICAL LIFE : >5 x 10⁶ OPS

OUTLINE DIMENSIONS (mm) : DIN rail mounting adds 6mm to the depths shown

<p>TYPE : 129 - SINGLE CONTACTORS Weight : 0.5kg</p> 	<p>ENCLOSED TYPES IP42 SHEET STEEL ENCLOSURE - SUFFIX E</p> <p>TYPE : 129 Weight : 2.4kg</p>  <p>Knockouts are 25 & 38mm dia</p> <p>TYPE : 229 Weight : 4.2kg</p>  <p>Knockouts are 25 & 38mm dia</p>
<p>TYPE : 229 - MECHANICALLY INTERLOCKED PAIRS Weight : 1.5kg</p> 	<p>ALTERNATIVE IP66 SHEET STEEL ENCLOSURE WITH HINGED DOOR - SUFFIX E66 ALL TYPES: 300h x 200w x 150d Weight : add 4.5kg to open types</p>

RELATED PRODUCTS

Enbray Contactors has a well established name for reliable electrical load management and manufactures a wide range of load switching devices ranging from miniature pulse operated devices up to 1250A fully automatic changeover systems.

Specific customer requested configurations can be produced which are supplied with all control wiring in place and therefore require the minimum of installation time. These include Safety Contactors, Emergency Changeover Systems, Multipole contactors, Contactors with normally closed main poles etc. Details on request

ENBRAY - Cooper Bussmann

Burton-on-the-Wolds
Leicestershire LE12 5TH
England

Technical/Application Helpline
Tel: +44 (0) 1900 68173
Fax: +44 (0) 1900 68189



E-mail: contactors@bussmann.co.uk
Web: <http://www.enbray.co.uk>