

TYPE : 2W4 CONTACTORS



A range of clapper contactors offering reliable switching with access to inspect and maintain contacts and coil. 1 to 4 pole 100A loads at up to 500V A.C. or D.C. can be accommodated.

FEATURES

- 1 to 4 normally open main poles
- Up to 100 Amps resistive and 63 Amps lighting load per pole
- Rectified control circuit for silent operation
- 230V 50/60Hz control voltage as standard
- Integral control circuit protection via H.R.C. fuse link.
- Neutral terminal on single and triple pole types
- Open type or IP42 sheet steel enclosure
- Also available in IP66 steel enclosures
- Manufactured to BS EN 60947-4-1

Alternative A.C or D.C control voltages, D.C load switching and auxiliary contacts available as factory fitted options



STANDARD CONTACTOR UNITS

MAIN POLES	100A RATED		80A RATED
	OPEN TYPE	ENCLOSED	COMPACT ENCLOSURE
1	2W4SPN100/63U	2W4SPN100/63E	2W4DP80/63E 2W4TPN80/63E
2	2W4DP100/63U	2W4DP100/63E	
3	2W4TPN100/63U	2W4TPN100/63E	
4	2W4FP100/63U	2W4FP100/63E	

FACTORY FITTED OPTIONS

AUXILIARY CONTACTS
1 or 2 auxiliary blocks with 1 n/o + 1 n/c contacts may be fitted. Add the reference AUX plus the number of blocks required.
DC LOAD SWITCHING
This is achieved by the use of permanent magnetic blowouts in place of the conventional arcchutes. Add the option DCL to the contactor reference

ALTERNATIVE CONTROL VOLTAGES			
Standard units have 230V A.C. control voltage. Add the option from the list below to the contactor reference			
A.C. CONTROL VOLTAGES		D.C. CONTROL VOLTAGES	
Voltage	Reference	Voltage	Reference
12V a.c	12AC	12V d.c	12DC
24V a.c	24AC	24V d.c	24DC
50V a.c	50AC	50V d.c	50DC
110-125V a.c	110AC	110-125V d.c	110DC
415V a.c	415AC	220-250V d.c	220DC
Details on request for control voltages not listed above			

ORDERING EXAMPLE Standard Reference

2W4 TPN 100/63 E

Contactor type _____
 Number of main poles (Triple pole + Neutral terminal) _____
 Main contact rating (100A resistive, 63A lighting) _____
 Enclosure (U for unenclosed type) _____

Factory Fitted Options

+DCL +AUX1 +110DC

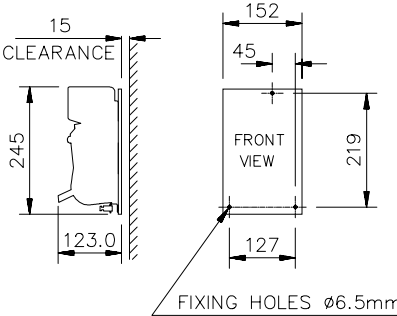
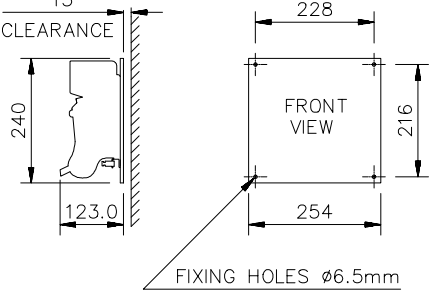
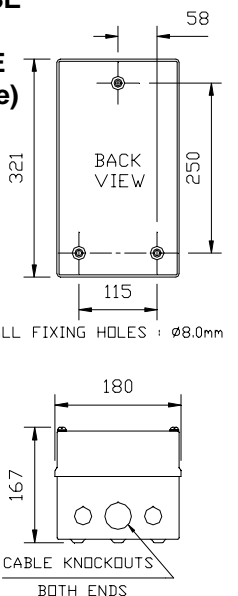
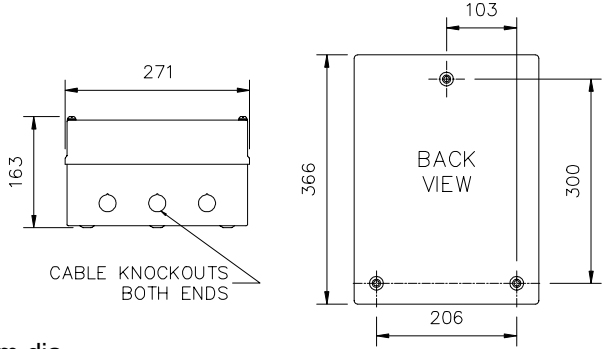
_____ Alternative Control Voltage (110-125V d.c.)
 _____ Auxiliary contacts (1 n/o + 1 n/c)
 _____ D.C. load switching

SPECIFICATION

CONTACT RATING at 500V A.C. or D.C.	
LOAD TYPE	AMPS PER POLE
HEATING (AC1, DC1)	100A
LIGHTING	63A
SODIUM LIGHTING	40A
MOTOR (AC3, DC3)	40A
CAPACITOR (A.C.)	30A
TRANSFORMER (A.C.)	40A

AUXILIARY CONTACT RATING	
1 OR 2 BLOCKS COMPRISING 1 N/O + 1 N/C AVAILABLE AS A FACTORY FITTED OPTION	5A at 250V A.C. 2A at 440V A.C. 0.1A at 220V D.C.
TERMINAL CABLE SIZES	
CONTROL SCREW CLAMP	1 x 2.5mm ²
MAIN CAGE CLAMP	1 x 50mm ² or 2 x 16mm ²
NEUTRAL CAGE CLAMP	1 x 25mm ² or 2 x 10mm ²
COIL CONSUMPTION	
	A.C.15VA D.C.12.5W

OUTLINE DIMENSIONS (mm)

<p>2W4SPN100/63U Weight 1.6kg 2W4DP100/63U Weight 2.0kg 2W4TPN100/63U Weight 2.4kg</p>  <p>FIXING HOLES ϕ6.5mm</p>	<p>2W4FP100/63U Weight 3.1kg</p>  <p>FIXING HOLES ϕ6.5mm</p>
<p>2W4SPN100/63E 2W4DP80/63E 2W4TPN80/63E (IP42 enclosure) Weight - add 2.7kg to open type</p>  <p>ALL FIXING HOLES : ϕ8.0mm</p> <p>Knockouts are 25 & 38mm dia</p> <p>CABLE KNOCKOUTS BOTH ENDS</p>	<p>2W4DP100/63E 2W4TPN100/63E 2W4FP100/63E (IP42 enclosure) Weight - add 4.0kg to open type</p>  <p>CABLE KNOCKOUTS BOTH ENDS</p> <p>Knockouts are 25mm dia</p> <p>All 100A types are also available in IP66 enclosure - suffix E66. Dimensions (mm) 400h x 300w x 207d. Weight - add 8.6kg to open type</p>

RELATED PRODUCTS

Enbray Contactors has a well established name for reliable electrical load management and manufactures a wide range of load switching devices ranging from miniature pulse operated devices up to 1250A fully automatic changeover systems.

Specific customer requested configurations can be produced which are supplied with all control wiring in place and therefore require the minimum of installation time. These include Safety Contactors, Emergency Changeover Systems, Multipole contactors, Contactors with normally closed main poles etc. Details on request

ENBRAY - Cooper Bussmann

Burton-on-the-Wolds
Leicestershire LE12 5TH
England

Tel: +44 (0) 1509 882600

Fax: +44 (0) 1509 882786

Technical/Application Helpline

Tel: +44 (0) 1900 68173

Fax: +44 (0) 1900 68189



E-mail: contactors@bussmann.co.uk

Web: <http://www.enbray.co.uk>