

A range of contactors in all-insulated moulded cases which require minimal installation and no earthing, complete with moulded cover. Single and triple pole loads, up to 100A at 500V AC can be accommodated. These units are widely used in off-peak load management applications.

FEATURES

- 1 or 3 normally open main poles
- Up to 100 Amps A.C. resistive and 40 Amps lighting per pole
- Double break silver alloy contacts and fully rated neutral link
- Rectified control circuit for silent operation
- 230V 50/60Hz control voltage as standard
- Integral control circuit protection via H.R.C. fuse link
- Insulated design requires no further protection
- Anti-tamper sealing facility
- Sheet steel IP42 or IP66 enclosures available
- Manufactured to BS EN 60947-4-1

For 110V 50/60Hz control voltage add **+110AC** to the reference below. Alternative A.C. or D.C. control voltages can be supplied to special order. Details on application.



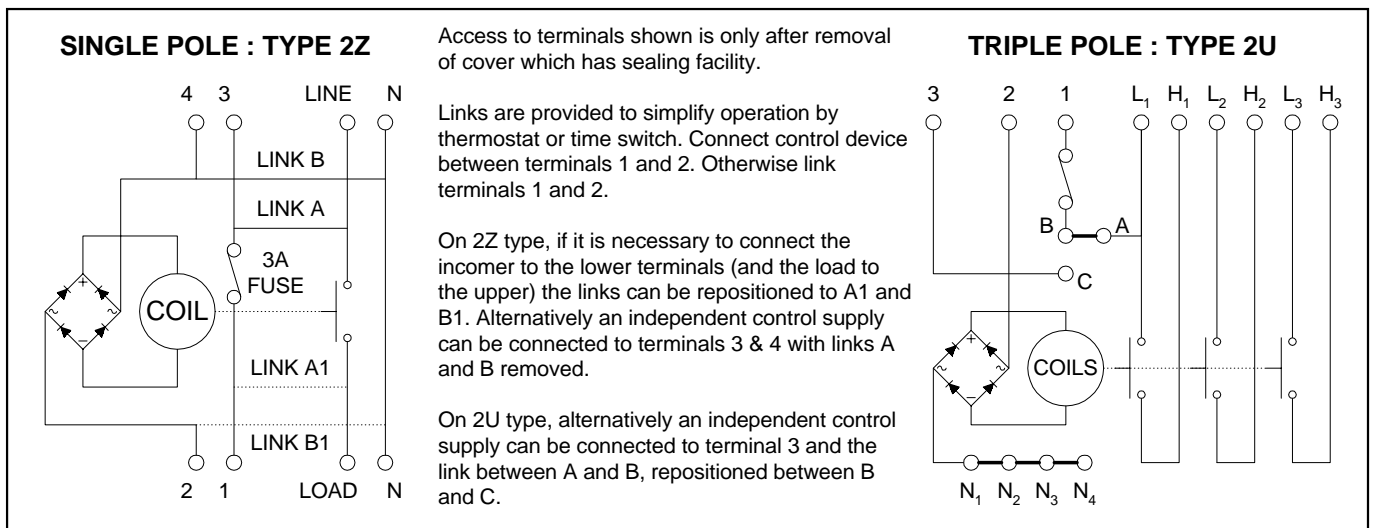
STANDARD CONTACTOR UNITS

| STYLE | FULLY INSULATED | STEEL ENCLOSURE |
|-------------|---------------------|---------------------|
| Single Pole | 2ZSPN100/40U | 2ZSPN100/40E |
| Triple Pole | 2UTPN100/40U | |

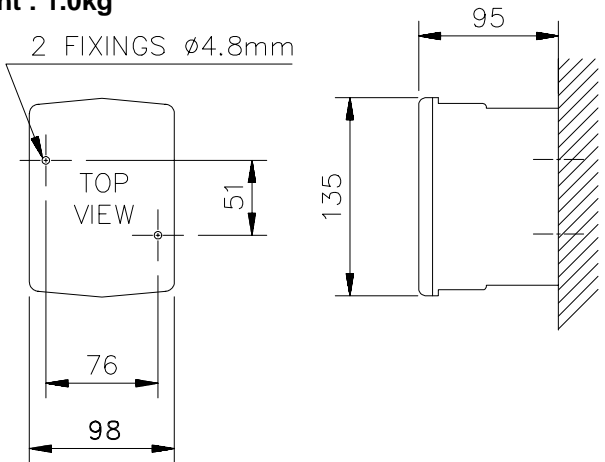
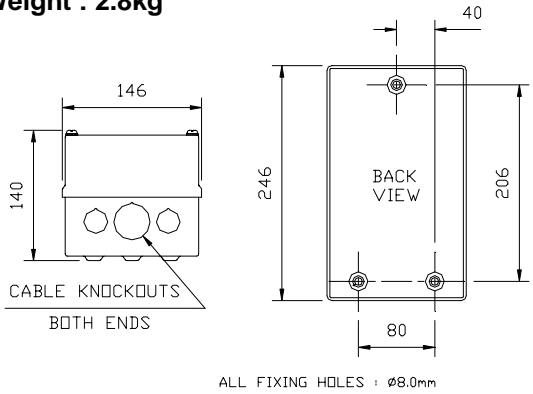
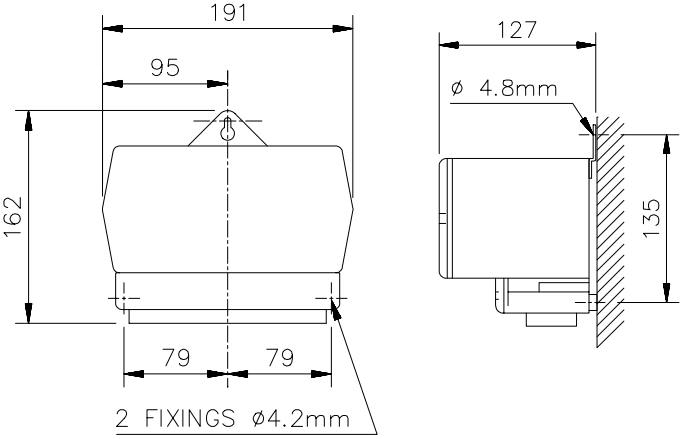
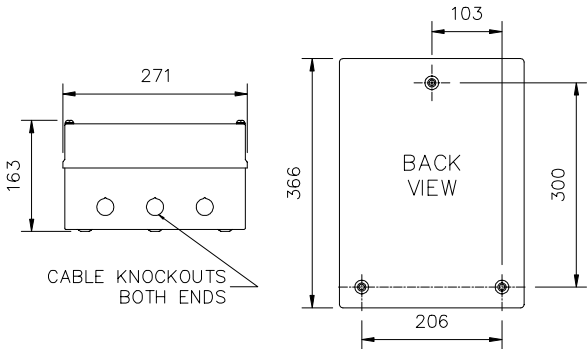
SPECIFICATION

| CONTACT RATING at 415V 50/60Hz | | TERMINAL TYPES AND CABLE SIZES | |
|--------------------------------|---------------|--|---|
| Load type | Amps per pole | Single Pole : Box clamp | Triple Pole : Tunnel type |
| Heating (AC1) | 100 | Control : 2 x 2.5mm ² | Control : 2 x 6mm ² or 1 x 16mm ² |
| Lighting | 40 | Main & Neutral : 1 x 35mm ² | Main & Neutral : 1 x 35mm ² |
| Sodium Lighting | 20 | | |
| COIL CONSUMPTION | | Single Pole : A.C.9VA D.C.6W | Triple Pole : A.C.12VA D.C.9W |

CIRCUIT DIAGRAMS



OUTLINE DIMENSIONS (mm)

| | |
|---|--|
| <p>2ZSPN100/40U Weight : 1.0kg</p>  | <p>2ZSPN100/40E (IP42) Weight : 2.8kg</p>  <p>Knockouts are 25 & 38mm dia</p> |
| <p>2UTPN100/40U Weight : 2.9kg</p>  | <p>2UTPN100/40E (IP42) Weight : 6.9kg</p>  <p>Knockouts are 25mm dia</p> |
| <p>Both types are alternatively available in IP66 enclosure with hinged door - suffix E66. 2ZSPN100/40E66 - Dimensions (mm) 300h x 200w x 150d. Weight 5.5kg 2UTPN100/40E66 - Dimensions (mm) 300h x 300w x 150d. Weight 9.0kg</p> | |

RELATED PRODUCTS

Enbray Contactors has a well established name for reliable electrical load management and manufactures a wide range of load switching devices ranging from miniature pulse operated devices up to 1250A fully automatic changeover systems.

Specific customer requested configurations can be produced which are supplied with all control wiring in place and therefore require the minimum of installation time. These include Safety Contactors, Emergency Changeover Systems, Multipole contactors, Contactors with normally closed main poles etc. Details on request

ENBRAY - Cooper Bussmann

Burton-on-the-Wolds
Leicestershire LE12 5TH
England

Tel: +44 (0) 1509 882600

Fax: +44 (0) 1509 882786

Technical/Application Helpline

Tel: +44 (0) 1900 68173

Fax: +44 (0) 1900 68189



E-mail: contactors@bussmann.co.uk

Web: <http://www.enbray.co.uk>