

MX MICRO



MICRO TYPE: MICRO 2 POLE

A MINIATURE DOUBLE POLE PULSE OPERATED CONTACTOR MAKING IT PARTICULARLY SUITABLE FOR OEM APPLICATIONS WHERE SPACE AND POWER CONSUMPTION ARE IMPORTANT CONSTRAINTS..

FEATURES

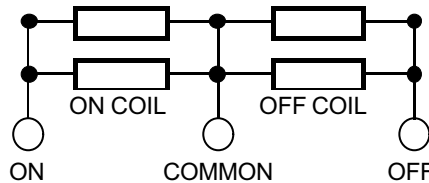


- Double pole 100A & 200A AC loads
- Dual coil - pulse On and pulse Off
- Overcurrent performance to IEC1036/7/8
- More than 1 million off-load operations
- Customer specified terminal arrangements
- Symmetrical 35mm DIN rail mounting
- Coil to load circuit isolation exceeds 4kV
- Brass terminals tapped M6 as standard
- Manufactured in UL94V0 rated materials
- Patented design : Pat no. 2202378

Unit shown without optional main terminal connection metalwork. Custom designs can be developed to meet particular applications. Details on request.

CONTROL CIRCUIT

The dual coil design is operated by connecting the COMMON terminal to the POSITIVE supply and momentarily the ON coil to NEGATIVE to close the main contacts, the OFF coil to NEGATIVE to open again. A common negative supply can be used and the coils will then operate in the opposite manner - i.e. the ON coil will open the contacts.



SPECIFICATION

The below list is not exhaustive and designs with alternative coil voltages, main terminal configurations etc. can be readily manufactured to meet specific customer requirements.

ORDERING EXAMPLE

CONTACT RATING	
100A resistive, 30A lighting	100
200A resistive, 63A lighting	200

MECHANICAL GANGING	
Mechanically Interlocked	G
None	No entry

Double pole MX Micro ——— MXDP 200 /24 FL7P G

COIL VOLTAGES	
5V DC pulse	5
12V DC pulse	12
24V dc pulse	24

CONTROL	
Flying lead extending 'n' inches	FLn
As above but with plug fitted	FLnP

Example shown: Double pole MX micro for a 200A resistive load with 24V dc coil operation, 7" flying lead with Molex plug and mechanically ganged

MX MICRO



MICRO TYPE: MICRO 2 POLE

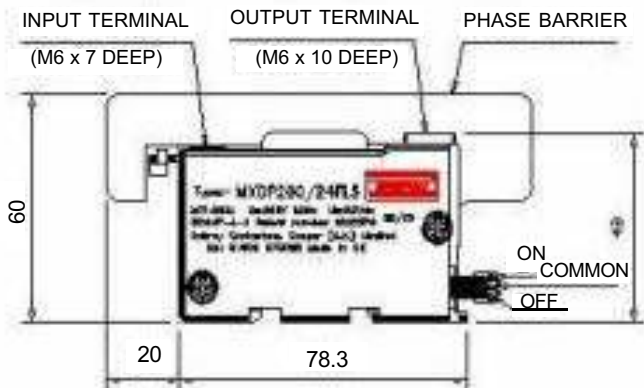
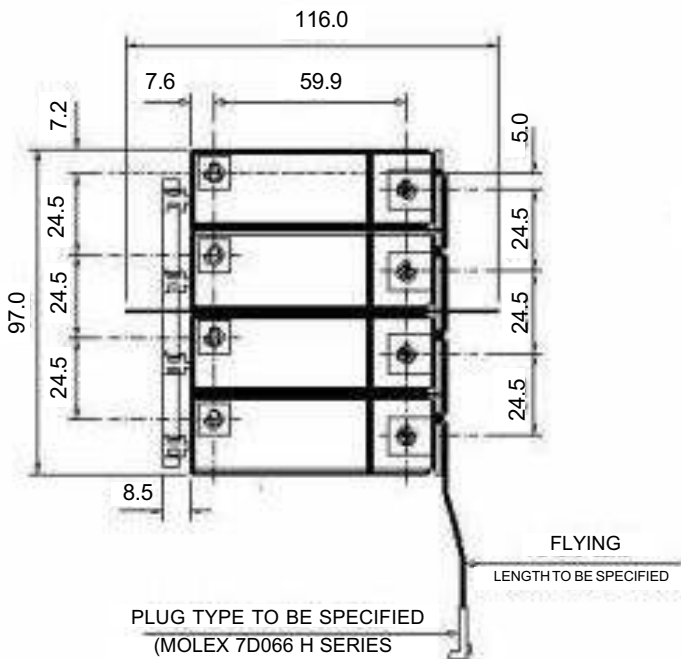
SPECIFICATION

OPERATING VOLTAGE		
MIN : 60ms pulse, 75% of Rated Voltage		
MAX : 1s Pulse, 200% of Rated Voltage Pulse Energy 800mJ (100A), 1600mJ (200A)		
CONTACT RATING at 250V 50/60Hz		
TYPE	HEATING (AC1)	LIGHTING
100	25,000 ops at 100A	25,000 ops at 30A
200	10,000 ops at 200A	25,000 ops at 63A
CONTACT RESISTANCE : <600		
MECHANICAL LIFE		
Electrical Operations		>10 ⁶
Hand Lever Operations		>10 ³

SHORT CIRCUIT (with 100A BS1361 Fuse)
3 Shots 3kA 0.8 p.f. : Still Operational
3 Shots 7kA 0.5 p.f. : No External Damage As defined within IEC1037/8
ISOLATION VOLTAGES
Coil To Load Circuit > 4kV r/m/s/ 50Hz Across Open Contacts > 1kV r.m.s. 50Hz
FLAMMABILITY : All materials UL94V0
RECOMMENDED TIGHTENING TORQUE
For main M6 terminals : 6Nm
AMBIENT TEMPERATURE RANGES
Operate : -10 to +90°C. Storage : -20 to +100°C

OUTLINE DIMENSIONS (mm) TOLERANCE 0.2mm unless stated

CONFIGURATION (without load termination metalwork option)



- ON (0V to close contacts) Orange lead
- COMMON (Supply positive) Red lead
- OFF (0V to open contacts) Brown lead

RELATED PRODUCTS

Enbray has a well established name for reliable electrical load management and manufactures a wide range of load switching devices ranging from miniture pulse operated devices up to 1250A fully automatic changeover systems.

Specific customer requested configurations can be produced which are supplied with all control wiring in place and therefore require the minimum of installation time. These include Safety Contactors, Emergency Changeover Systems, Multipole Contactors, Contactors with normally closed main poles etc. Details available on request.