

# MX MICRO



## MICRO TYPE: MX MICRO CONTACTOR

A MINIATURE SINGLE POLE PULSE OPERATED CONTACTOR MAKING IT PARTICULARLY SUITABLE FOR OEM APPLICATIONS WHERE SPACE AND POWER CONSUMPTION ARE IMPORTANT CONSTRAINTS..

### FEATURES

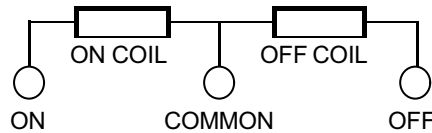


- Single pole 100A AC loads
- Dual coil - pulse On and pulse Off
- Overcurrent performance to IEC1036/7/8
- More than 1 million off-load operations
- Customer specified terminal arrangements
- Operating lever or contact state indicator
- Fixing holes through case to minimise volume
- Coil to load circuit isolation exceeds 4kV
- Manufactured in UL94V0 rated materials
- Patented design : Pat no. 2202378

Custom designs can be developed to meet particular applications. Details on request.

### CONTROL CIRCUIT

The dual coil design is operated by connecting the COMMON terminal to the POSITIVE supply and momentarily the ON coil to NEGATIVE to close the main contacts, the OFF coil to NEGATIVE to open again. A common negative supply can be used and the coils will then operate in the opposite manner - i.e. the ON coil will open the contacts.



### ORDERING EXAMPLE

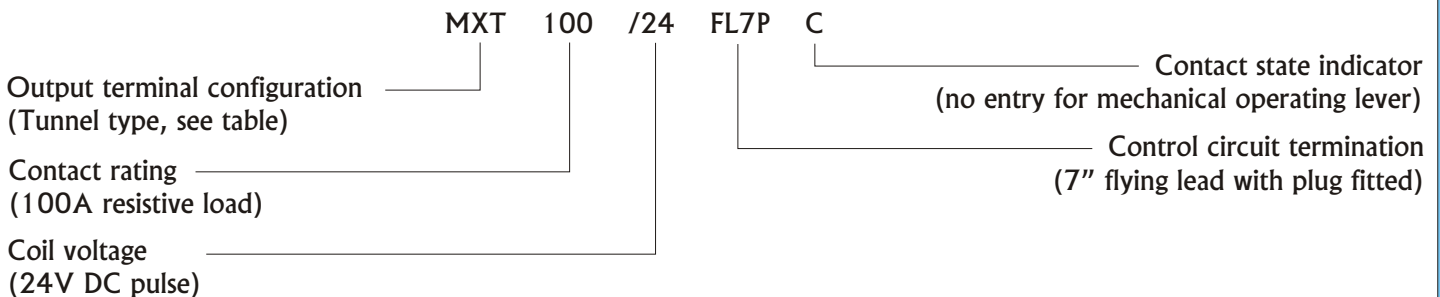
OUTPUT TERMINAL CONFIGURATIONS	
Brass tapped M6 (standard)	MX
Tapped M6 with terminals equal length	MXZ
Tunnel type with 2 x M6 pinch screws	MXT

CONTACT RATING	
100A resistive, 30A lighting	100

CONTROL TERMINAL CONFIGURATIONS	
Sockets to accept 1mm diameter pins	SKT
Flying lead extending 'n' inches	FLn
As above but with plug fitted	FLnP

COIL VOLTAGES	
5V DC pulse	5
12V DC pulse	12
24V DC pulse	24

The reference defines the contact rating, coils and terminations



# MX MICRO



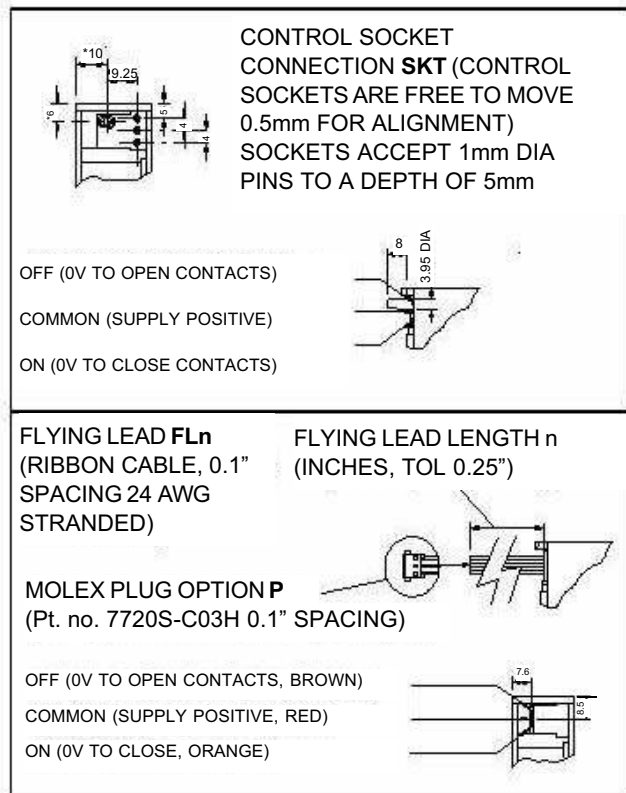
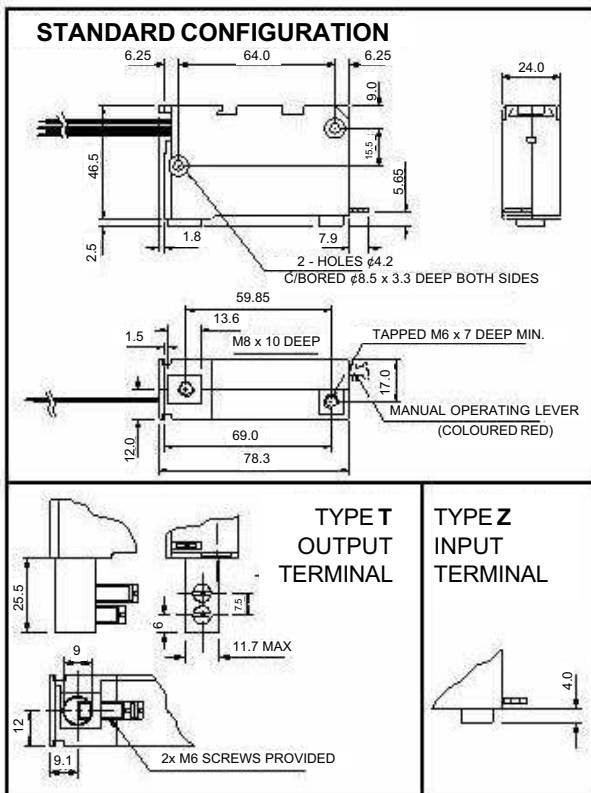
**MICRO TYPE: MX MICRO CONTACTOR**

## SPECIFICATION

OPERATING VOLTAGE	
MIN : 60ms pulse, 75% of Rated Voltage	
MAX : 1s Pulse, 200% of Rated Voltage Recommended : 100ms or 400mJ Pulse	
CONTACT RATING at 250V 50/60Hz	
TYPE	LIGHTING
100	25,000 ops at 30A
CONTACT RESISTANCE : <600	
MECHANICAL LIFE	
Electrical Operations	>10 <sup>6</sup>
Hand Lever Operations	>10 <sup>3</sup>

SHORT CIRCUIT (with 100A BS1361 Fuse)
3 Shots 3kA 0.8 p.f. : Still Operational
3 Shots 7kA 0.5 p.f. : No External Damage As defined within IEC1037/8
ISOLATION VOLTAGES
Coil To Load Circuit > 4kV r/m/s/ 50Hz Across Open Contacts > 1kV r.m.s. 50Hz
FLAMMABILITY : All materials UL94V0
RECOMMENDED TIGHTENING TORQUE
For main M6 terminals : 6Nm
AMBIENT TEMPERATURE RANGES
Operate : -10 to +90°C. Storage : -20 to +100°C

## OUTLINE DIMENSIONS (mm)



## RELATED PRODUCTS

Enbray has a well established name for reliable electrical load management and manufactures a wide range of load switching devices ranging from miniture pulse operated devices up to 1250A fully automatic changeover systems.

Specific customer requested configurations can be produced which are supplied with all control wiring in place and therefore require the minimum of installation time. These include Safety Contactors, Emergency Changeover Systems, Multipole Contactors, Contactors with normally closed main poles etc. Details available on request.