

A range of panel mounting, solid state earth leakage relays for use with distribution contactors, circuit breakers, motor starters etc. Variable settings allow flexibility in protection of plant, cabling etc. against hazards induced by earth leakage.

## FEATURES

- Simple sensitivity selection
- L.E.D indication of tripped state
- Independent output contacts
- Integral test and reset buttons
- Remote reset through momentary supply interruption
- Integral time delay to eliminate nuisance tripping
- Choice of supply voltage
- Choice of core balance C.T. size
- Insulated case with terminal protection
- Small panel mounting footprint



## ORDERING INFORMATION

Select relay by control voltage and CT by internal diameter

CONTROL AC 45-65Hz	ORDERING REFERENCES RELAYS
110 220-240	<b>ELRC33L/110</b> <b>ELRC33L/240</b>

C.T. INSIDE DIAMETER	PREFERRED CURRENT TRANSFORMERS
20mm 35mm 50mm	<b>R36A</b> <b>R36B</b> <b>R36C</b>

C.T. INSIDE DIAMETER	NON-STANDARD CURRENT TRANSFORMERS
80mm 100mm 125mm	<b>R36D</b> <b>R36E</b> <b>R36F</b>

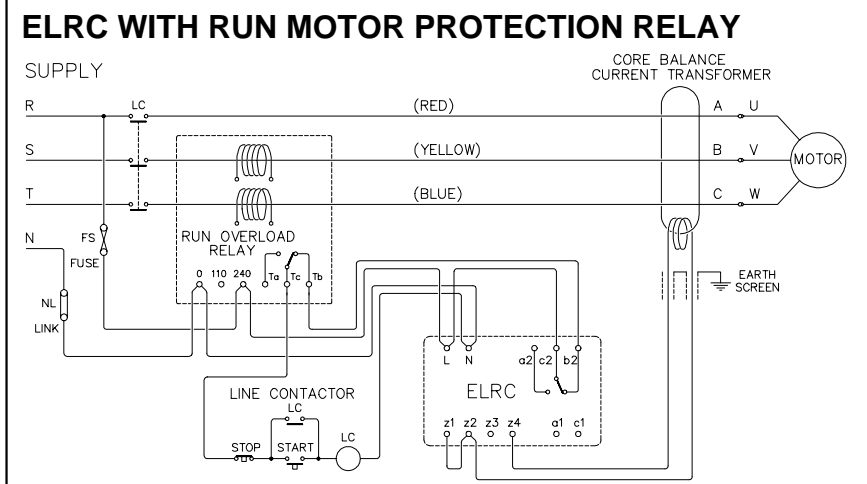
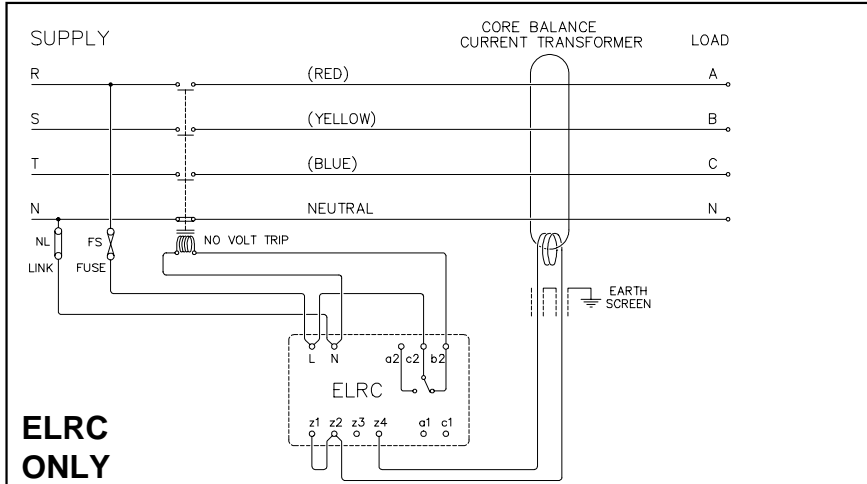
## SPECIFICATION

SENSITIVITIES SELECTABLE	300mA, 1A, 3A
OPERATING TIME	1 second
OPERATING TEMPERATURE RANGE	-10°C to +50°C (r.h. 45-85%)
CONTROL CIRCUIT CONSUMPTION	2VA
VOLTAGE WITHSTAND	> 2kV for 1 minute
INSULATION RESISTANCE	> 1MΩ
OUTPUT CONTACT ARRANGEMENT	SPDT and SPST (normally open)
OUTPUT CONTACT LIFE	> 10,000 ops at rated load
OUTPUT CONTACT RATINGS	2A at 240V a.c. 0.4 p.f. 150mA at 110V d.c. time constant <40ms 2A at 24V d.c. time constant <40ms
TERMINAL SIZE	Screw clamp for 1 or 2 x 2.5mm <sup>2</sup> cables

## INSTALLATION

Control Supply must be available to the unit at all times. The unit may be remotely reset by a momentary interruption of the control supply. All load cables (including neutral) must be passed through the CT for correct operation. Do not mount the CT in close proximity to other electro-magnetic devices or large current carrying conductors.

## TYPICAL CIRCUITS



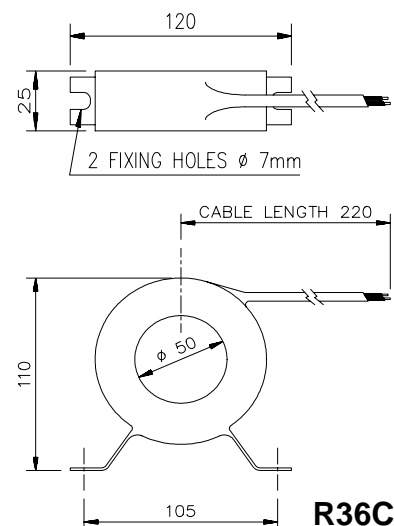
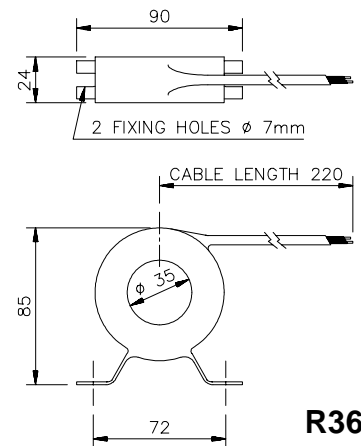
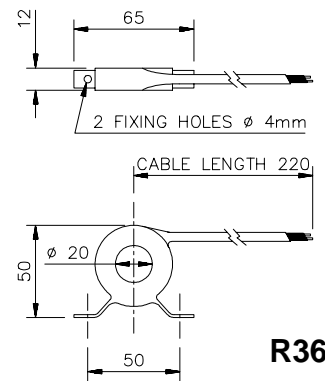
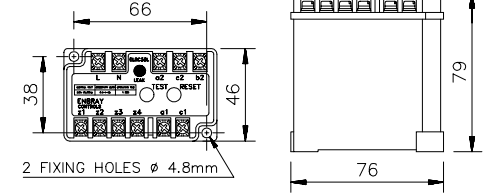
- L, N Control supply input
- z2, z4 CT secondary connections
- a1, a2 Normally open output contact
- a2, b2, c2 SPDT output contacts (N/O, N/C & Common)
- z1, z2 Link for 1A sensitivity
- z2, z3 Link for 3A sensitivity
- No link for 300mA

## RELATED PRODUCTS

Use type RUN motor protection relays for phase failure and over-current detection. See data sheet DRUN.

## OUTLINE DIMENSIONS (mm)

Weight : 0.3kg



## ENBRAY - Cooper Bussmann

Burton-on-the-Wolds  
Leicestershire LE12 5TH  
England

Tel: +44 (0) 1509 882600

Fax: +44 (0) 1509 882786

Technical/Application Helpline

Tel: +44 (0) 1900 68173

Fax: +44 (0) 1900 68189



E-mail: [contactors@bussmann.co.uk](mailto:contactors@bussmann.co.uk)

Web: <http://www.enbray.co.uk>