

A range of contactor switch units which will isolate a three phase load in response to a local or remote trip button or control signal from an alarm or emergency load shedding device. A key switch then prevents re-energisation except by a responsible key holder.

FEATURES

- 3 normally open main poles and fixed neutral
- Rated from 32 to 630A A.C. load per pole
- Positive mechanical indication of contact state
- Rectified control circuit for silent operation
- 230V 50/60Hz control voltage as standard
- Integral control circuit protection via H.R.C. fuse link
- Fully wired for reduced installation time
- Mushroom head trip button
- Facility for remote tripping
- IP55 sheet steel enclosure
- Manufactured to BS EN 60947-4-1

Optional features include red and green pilot lamps and 30mA RCCB. Double and Four pole variants are available to special order. Details on request.



ORDERING INFORMATION

MAIN CONTACT RATING PER POLE		REFERENCES			CONTACTOR TYPE
CONTINUOUS AC1	BREAKING 0.65pf/415V	STANDARD TYPES	WITH PILOT LAMPS	WITH PILOT LAMPS & RCCB	
32	150	SC32	SC32PL	SC32PLR	2J
45	200	SC45	SC45PL	SC45PLR	2J
63	240	SC63	SC63PL	SC63PLR	2J
100	400	SC100	SC100PL	SC100PLR	2W4
160	1000	SC160	SC160PL		2D
250	1280	SC250	SC250PL		2D
315	2000	SC315	SC315PL		2D
500	3200	SC500	SC500PL		2M
630	4000	SC630	SC630PL		2MN

Full specification details for the contactor can be found on the data sheet for the contactor type given above

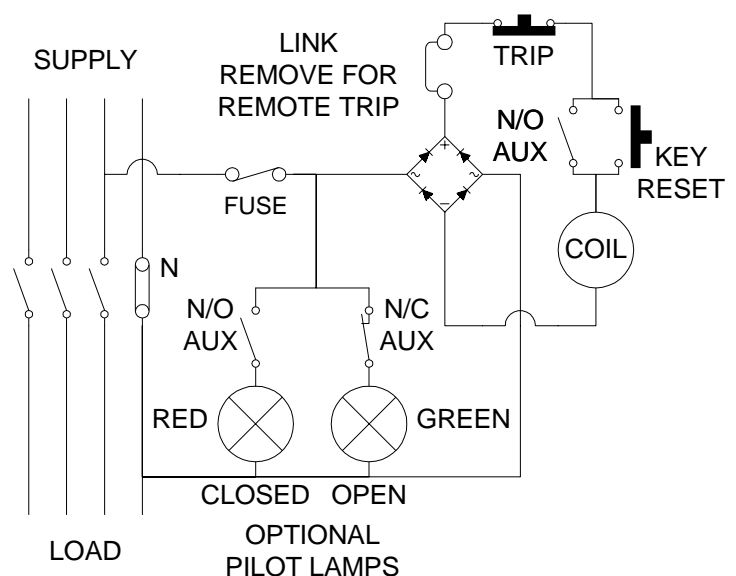
CIRCUIT DIAGRAM

The typical circuit shown opposite operates as follows:-

Once the contactor is energised the auxiliary contact maintains the coil supply until there is a momentary interruption from either a supply failure or operation of a trip button.

The contactor remains de-energised until the key reset switch (which has a spring return) is closed momentarily.

Additional remote trip buttons can be connected in series with the trip button fitted to the enclosure.



OUTLINE DIMENSIONS (mm)

All units are in wall-mounting IP66 steel enclosures with gland plate and hinged doors.

Each has a mushroom head stop/trip button mounted on the lower left of the door, and a reset keyswitch mounted lower right.

Pilot Lamps when fitted, are mounted at the top of the door. Green (to the left) indicates the contactor is open (but the supply is healthy). Red (to the right) indicates that the contactor is closed (and the load energised).

Note that the RCCB options reduce the enclosure rating to IP55.

TYPE REFERENCES	HEIGHT (mm)	WIDTH (mm)	DEPTH (mm)
SC32 & SC32PL SC45 & SC45PL SC63 & SC63PL	300	300	150
SC32PLR SC45PLR SC63PLR	400	300	207
SC100 & SC100PL	400	300	207
SC100PLR	600	400	307
SC160 & SC160PL SC250 & SC250PL SC315 & SC315PL	600	400	307
SC500 & SC500PL SC630 & SC630PL	600	600	307

RELATED PRODUCTS

Enbray Contactors has a well established name for reliable electrical load management and manufactures a wide range of load switching devices ranging from miniature pulse operated devices up to 1250A fully automatic changeover systems.

Specific customer requested configurations can be produced which are supplied with all control wiring in place and therefore require the minimum of installation time. These include Safety Contactors, Emergency Changeover Systems, Multipole contactors, Contactors with normally closed main poles etc. Details on request

ENBRAY - Cooper Bussmann

Burton-on-the-Wolds
Leicestershire LE12 5TH
England

Tel: +44 (0) 1509 882600

Fax: +44 (0) 1509 882786

Technical/Application Helpline

Tel: +44 (0) 1900 68173

Fax: +44 (0) 1900 68189



E-mail: contactors@bussmann.co.uk

Web: <http://www.enbray.co.uk>